



Picture Framers GUILD

NEWSLETTER

MARCH 1997

EPFG INSURANCE PROGRAMS ARE READY TO BEGIN

Insurance costs are usually lower for large groups as compared to single-entity plans, and that is the basis for the Evergreen Picture Framers Guild's undertaking the group approach to insurance.

EPFG is now making **two programs** available to members:

- ◆ **Health Care and related products; and**
- ◆ **Business Property and Casualty insurance.**

Each of these are available through the respective brokers selected by the EPFG Board, and all transactions will be handled by them:

Karen Beck, of Cascade Insurance Associates will broker the health care, life, dental, vision care, legal services, and disability insurances. Procedures for these plans will be mailed to you separately, with a form for you to request quotes on the various plans.

Karen was a guest speaker at the October meeting, and anyone with questions may call her at (206)781-9069, or fax her at (206)789-8584.

Tom Raley, of the Bell-Anderson Agency, will broker the property and casualty, and an insert is included in this issue for your use to request information, or you can call Tom at the number on the insert.

Give them a try- there's no obligation, and if you are not a PPFA or EPFG member, you may find that it's worth the price of membership!

And finally, contact any Officer or Board Member if you have any questions or comments- good or bad! They want the program to work for you!

MARCH 11 MEETING AT THE FRAME MAKERS

6724 West 19th Street, Tacoma
(206) 564-2320

Topic: Security Installations for Art

How do you hang art so it stays put on all the different combinations of frames and walls? Frank Larson, of Larson Art Services (and EPFG President) shares his years of installation experience.

DRIVING DIRECTIONS:

From I-5, take the Bremerton-Gig Harbor exit to **Hwy 16** (Westbound). Follow Hwy 16 around the bend past Cheney Stadium and get into the far right lane. Take the **Westbound S 19th Street exit** (the 2nd S 19th exit) and follow S 19th Westbound for approx 1 mile.

Frame Makers is immediately on the left just past Mildred Street in **College Center Shopping**, between Gold's Gym and Pay Less Drugs.

WE WANT TO SEE YOU THERE!

'97 EDUCATION PROGRAM PLANS SHAPING UP FAST- LOOKS GREAT! 2 DAYS- MAY 3 & 4

Saturday, May 3, will be CPF day; the CPF exam plus the CPF recertification program for existing CPFs.

If you haven't taken the CPF exam yet, now's the perfect time! Start studying now; contact PPFA or one of the EPFG officers for info on study materials.

If you already have your CPF, this is also the perfect time to expand your knowledge by taking the recertification course, to be taught by Dennis Tilley.

This is a highly recommended course, and all CPF's are to receive enrollment info from PPFA prior

(Continued on page 2)

inside...

1997 Education Program	Page 1
EPFG Group Insurance Programs	Page 1
EPFG Library Listing; Meeting Notes	Page 7
Classified ads	Page 7
Calendar, Officers & Board	Page 8

(Continued from page 1)

to the event. Note, though, that it will be on May 3, not May 4 as stated (or so we're told) in the EPFG mailing.

May 4, Sunday, will be the day for all other activities- the print competition, classes, and banquet.

Print Competition: If you need the print, it can be ordered from PPFA (it is the Georgia O'Keeffe commemorative stamp sheet), probably no longer available from the Post Office. Contact PPFA or Paul Knoop, Treasurer, for the rules and info.

Also, remember that there is an open framing competition, where the sky is the limit!

Classes: There will be both half-day and full-day classes by outstanding instructors like Linda Horsfall and Kaye Evans. Details will be provided in a separate mailer later this month or the first of April.

Banquet: You'll be glad you were there! Outstanding food, plus Kaye Evans, one of the industry's top practitioners and educators will be the banquet speaker.

In addition, the Outstanding Vendor and Outstanding Sales Rep of the Year Awards will be presented.

This is the MAIN EVENT of the year, everyone's chance to revitalize and enhance both their abilities and outlook for a better and happier outlook for the rest of the year. Be There!



FRAMERS' INVENTORY
Specializing in the Fine Art of Service.

STILL GROWING!

WOOD MOULDINGS
ARQUATI, BAY, FRAMERS' INVENTORY,
LA MARCHE, MAX, PIEDMONT, SENELAR,
WILLIAMSON

METAL MOULDING
DESIGNER & NIELSON

MATBOARD
BAINBRIGE, CRESCENT, MILLER

C&H AND FLETCHER FRAMING EQUIPMENT
SEAL MOUNTING EQUIPMENT.

5000 S.E. 18TH AVENUE, PORTLAND, OR. 97202
TOLL FREE# 1(800)543-2467

NATIONAL GLASS

17030 WOODINVILLE-REDMOND ROAD, WOODINVILLE, WA. 98072

QUALITY PRODUCTS AND EXCELLENT SERVICE! NATIONAL GLASS INVENTORIES THE LARGEST SELECTION OF PICTURE FRAMING GLASS IN THE PACIFIC NORTHWEST.



NATIONAL GLASS

TRU VUE AND SANDEL PREMIUM, REFLECTION CONTROL, SATINVIEW, CONSERVATION SERIES GLASS, IMAGE PERFECT, DENGLAS, AND CRYSTALVIEW.

ALSO AVAILABLE: *FOAM-X*, MIRROR AND ACRYLICS

EVERYTHING YOU NEED AND *FREE DELIVERY* ARE ONLY A PHONE CALL AWAY!

(206) 488-8126

1(800) 521-7061

FAX (206) 488-3712

Same Day Service
Jayeness Moulding Co.

Wholesale Picture Frame Supplies
 2928 4th Ave S • Seattle, WA 98134
206-292-9664
800-423-6287



VICTOR MOULDING CO.
 977 66TH AVENUE, P.O. BOX 2206
 OAKLAND, CA 94621 • 415-430-6400

WHOLESALE PICTURE FRAME SUPPLIES

CHUCK BIGFORD
 SALES REPRESENTATIVE

(206) 481-2555

1-800-366-8428
 1-415-430-8588 FAX

MESSAGE CENTER
 1-800-359-2829
 EXT 3715

Bob Batie
 Sales Representative

10312 12th Ave. NW
 Seattle, WA 98177
 (206) 782-8888



 **TRU VUE / MILLER ARTBOARD**



ORDER: (800) 262-4174
FAX: (206) 656-9125
LOCAL: (206) 656-2940

8214-B SOUTH 192nd ST., KENT WA 98032

- 5 chops: 5% Discount + Free Freight
- 10 chops: 10% Discount + Free Freight
- Length: Quantity Discount Available
- Routing Service

Joseph Huber
 Sales Representative



695 Edgewater St. N.W.
 Salem, Oregon 97304
 Phone: 1-800-872-4445
 FAX: 1-503-363-7273

21828 87th Ave. S.E., Suite B
 Woodinville, WA 98072
 Phone: 1-800-292-3202
 FAX: 1-206-486-4978



Jeffrey Schuffman

Washington - Oregon Sales Representative

1433 W. Frankford Rd. #100 Carrollton, Texas 75007

800 527-0421 x 822
 800 817-0524 Fax

NURRE CAXTON



PAMELA NEAL
 Sales Representative
 Washington, Wyoming, Montana
 Oregon, Idaho

800-255-1942, press 6, ext. 4011 voice mail
 800-377-3300 fax
 800-910-8966 pager

**Colorful, Creative,
 Pure & Strong...**



Crescent Rag Mat
100% Cotton Museum Board

The choice of Artists & Picture Framing Professionals,
 for archival and conservation matting.
 Acid-free and lignin-free.

Send in your business card to receive
 your FREE Rag Mat Booklet (RM-100).

Crescent Cardboard Company 100 W. Willow Road, Wheeling, IL 60090 U.S.A.

Software suite for Windows, DOS & OS/2
 New Version! Galleries & Frame shops User Friendly!

FERENSOFT
TRIO!

- Art
- Customers
- Framing

Business management suite includes original **FRAMESHOP™** software. See why people are switching to **FERENSOFT!** Seattle 206-282-1775.
 Created by *Decor* columnist John Ferens, CPF.





(303) 466-9420
 (800) 817-2737
 FAX (303) 465-1771

Humberto Ortiz
 National Sales Manager

2330 W. MIDWAY BLVD. • P.O. BOX 925 • BROOMFIELD, CO 80038-0925


Archive Mattboard • Burnich & Designer Moulding • Clark Moulding
 Foamcore • Miller Mattboard • Piedmont Moulding
 TruVue Glass • Williamson Moulding

METAL FRAMES ART



6010 EAST ALKI WAREHOUSE #5 SPOKANE, WASHINGTON 99212
 PHONE 800 344-7329 509 535-3440 FAX 800 344-5003 509 535-3466

SEATTLE, WA 98133



THE ART DOCTOR
 Restoration of Oil Paintings, Japanese Screens,
 Art on Paper, Art Objects

NANCY G. WHITE (206) 783-9160
 Restorer By Appointment

HARTUNG GLASS INDUSTRIES

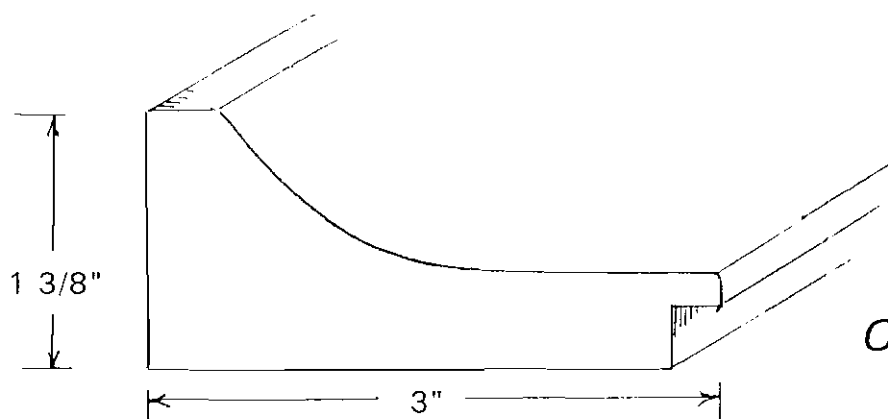
- ◆ Complete line of Acrylics; Clear, Non-Glare & UV.
- ◆ We carry Tru-Vue, Sandel & Crystalview
- ◆ Specializing in beveled mirrors for framing.
- ◆ Next day delivery from Everett to Tacoma.
- ◆ Over 20 years experience with picture framers.
- ◆ Call us and have a Customer Service Representative specializing in your needs help you.



17830 West Valley Highway, Seattle, WA 98188
 (206)656-2626, (800)552-2227, FAX (206)656-2601

By Popular Demand

A 3" wide Tall Scoop



Our new **12-TS**

<i>Prices</i>	<u>Length</u>	<u>Chop</u>
Primed	2.45	4.50
Pre-Covered	2.95	5.40
Custom-Wrapped	Inquire	6.10

Now we have a full complement of Tall Scoops ranging in width from 1 1/2" to 3". We also carry shallow scoops, tapers, bevels, wedges, shadow-boxes, mat liners and a 3/4" X 1 3/4" Stretcher Bar. Our liners are available in length or chop primed, and pre-covered in Oyster, Natural, and Black. You can also order them Custom-Wrapped in any of our 500-plus colors, end-wrapped and ready to join.

For complete information on all our liners, call **1-800-832-2742**. We'll be happy to answer any questions you might have about our new 12-TS, or about any of our products and services.



6001 Santa Monica Blvd.
Los Angeles, CA 90038

Allegra™

Seven delicate embossed mouldings in two finishes of antique gold and antique silver.

For more information on new Allegra and other Larson-Juhl framing products call:
(800) 438-5031

or contact your Larson-Juhl sales representative by calling (800) 223-0307

Stephen Dean - ext. 454 Paul Anderson - ext. 456
Joe Garitone - ext. 455

LARSON · JUHL

ADDING ARTISTRY TO ART
WARMTH TO LIVING

Nantucket™

Nantucket captures the essence of rustic seaside cottages, cheerful cranberry harvests and weathered lobster pots. Six finishes of Ivy, Acorn, Cypress, Cedar, Redwood and Chesapeake on two rough-sawn profiles create this memorable collection.

For more information on new Nantucket and other Larson-Juhl framing products call:
(800) 438-5031

or contact your Larson-Juhl sales representative by calling (800) 223-0307

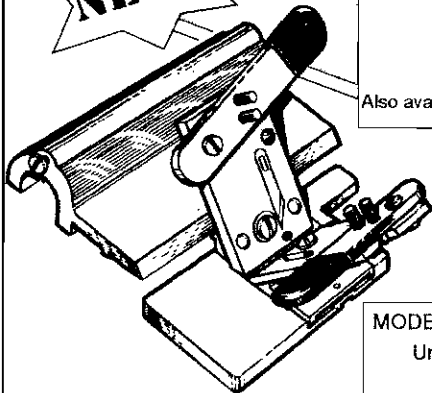
Stephen Dean - ext. 454 Paul Anderson - ext. 456
Joe Garitone - ext. 455

LARSON · JUHL

ADDING ARTISTRY TO ART
WARMTH TO LIVING

Chances are you started out with a LOGAN Mat Cutter Have you seen what we've done lately?

NEW!



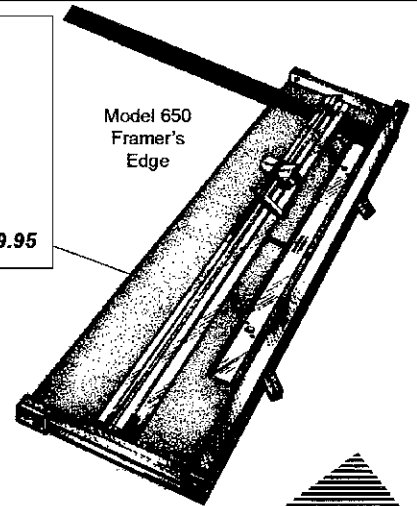
Model 705
Logan
V-Groover

MODEL #650 *Framer's Edge* MAT CUTTER 40" Professional Production Matcutter

- includes:
- Ergonomically designed Dual straight and Bevel cutting head
 - Production Stops
 - Parallel Mat Guide
 - Start and Stop Indicator for line to line cutting.
 - 27" Squaring Arm

Suggested List Price \$599.95

Also available in a 60" version MODEL #660 *Framer's Edge* \$799.95



Model 650
Framer's
Edge

MODEL 705 LOGAN V-Groover patented

Unique "push-pull" surface V-Groover that cuts beautiful V-Grooves on the surface of the matboard. Works entirely with stops provided for accurate V-Grooving in seconds with zero overcuts. Endless creative possibilities!!

Suggested List Price \$125.00

MODEL 706 Universal V-Groover patented

Works on professional mat cutters using a 5/8" thick cutting bar rod including Fletcher® and C&H® professional matcutters.

Suggested List Price \$150.00



GRAPHIC PRODUCTS, INC.
1100 BROWN STREET • WALKONDA, ILLINOIS 60084
NATIONWIDE TOLL FREE 1-800/331-6232
TOLL FREE FAX 800/331-6329

See us at <http://www.artproducts.com>
E-MAIL Logan-Graphic-Products@worldnet.att.net

FEBRUARY MEETING NOTES:

Anyone attending the February meeting at Cranbrook Gallery left with a firm grasp on the recognition of the many different types of original prints and their values.

Jeff Schuffman, of Jeffrey Schuffman & Associates (and EPFG VP), compared and contrasted a variety of printing methods, including etchings, lithographs, serigraphs, monotypes, etc., with samples of each to give the "hands-on" experience.

Recognition and understanding of the many forms of art printing is essential to any framer wishing to fall into the ranks of professional, and Jeff's presentation was an excellent resource for those present.

EPFG LIBRARY SELECTIONS**BOOKS**

Framers book of techniques and materials
 Framers guide to Japanese papers
 Picture Framing - Kistler I
 Mat cutting- Kistler II
 Needlework- Kistler III
 Business Forms
 Conservation Framing
 Easy to build object box
 Frames & framing
 PPFA Guild: Guidelines for framing works of art on Paper
 Guidelines for framing works of art on Canvas
 Mounting, lamination, and texturizing
 Matting & hinging
 Marbling
 Art of showing art
 Beginners Guide to Faux Finishes
 Guerrilla marketing
 How to care for works of art
 How to sell framing
 Life of a photo
 The Gilder's Manual
 Practical Gilding

VIDEOS

Traditional gilding
 Basics of matcutting/decorating
 Basics of picture framing
 Color selection in matting
 Conservation framing - Bowen
 Framing needlework
 French mats & inlaid mats
 Conservation framing needleart
 Conservation framing - Kistler
 Recognizing Graphic Art Techniques- FACTS

GILDING TOOLS -Gilder's pad, tip, & knife
 Check out this basic set of gilding tools, along with the new books on gilding and develop your gilding skills!

These resources are available to members simply for the asking!
 To arrange pickup, or to pick them up at a monthly meeting,
 Contact: EPFG Librarian,

ALLAN LAMB, CPF
 Lamb Cottage Gallery, Lynnwood
 (206) 776-1911

Extreme Value



THE WILLIAMSON CO.
 FINE MOULDINGS & FRAMES

Manufacturer & Distributor
 OF QUALITY PICTURE FRAME MOULDING
 AND READY MADE FRAMES

For more information, call

Donna Gluyas

Western Region Sales Manager

1-800-851-2467

CLASSIFIED ADS**EPFG NEWSLETTER****RULES AND RATES FOR CLASSIFIED ADS IN 1997**

- ◆ Members are allowed a free ad for up to 3 months running; a \$10/month fee will be billed for additional time.
- ◆ Non-members may place a classified ad at \$15/month.
- ◆ Product or service ads will be billed according to the display ad rate schedule.

The classified ads are offered to help you and your business!

Please use them- Any questions, call:

- ◆ Dave Allred, Newsletter Editor, at (206)455-0607, or
- ◆ Paul Knoop, EPFG Treasurer, at (206)564-2320

Let the Newsletter help you in 1997!

WANTED**Newsletter Editor(s)**

for the Evergreen Picture Framers Guild's
 monthly newsletter.

Use your communications and organization skills to help get out the Northwest framing news. Two people, a content editor and an advertising editor, are desired, but one person to do it all is OK too. The Guild will assist with the publishing and printing part.

For more info, contact any EPFG officer (See P 8)
 or Dave Allred, Editor, (206)455-0607

FOR SALE

Save Space with Metal Flat-File Cabinets!
3 9-Drawer cabinets, 28x17.5x4 in. drawers
Full Extension Hardware
\$185 per cabinet
 Contact Nick at (206) 633-1200

1997

January
 Tuesday, Jan 14 7:30 pm
 CHAPTER MEETING
 Art Laminators
 206 105th Avenue NE
 Bellevue (206)455-0607
 Jan 28- EPFG Board Meeting

February
 Tuesday, Feb 11 7:30 pm
 CHAPTER MEETING
 Cranbrook Gallery
 Seattle Design Center
 5601 6th Avenue S
 Seattle

March
 Tuesday, Mar 11 7:30 pm
 CHAPTER MEETING
 The Frame Makers
 6724 W 19th Street
 Tacoma (206)564-2320
 Mar 25- EPFG Board Meeting

April
 Tuesday, April 8 7:30 pm
 CHAPTER MEETING
 April 23 & 24
 PPFA ED CONFERENCE
 Vancouver, BC

May
 EDUCATION
 PROGRAM AND
 BANQUET
 Sat & Sun, May 3 & 4
 DOUBLETREE INN,
 TUKWILA
 May 27- EPFG Board Meeting

June
 Tuesday, June 10 7:30 pm
 CHAPTER MEETING

July
 Tuesday, July 8 7:30 pm
 CHAPTER MEETING
 July 29- EPFG Board Meeting

August
 ANNUAL
 EPFG PICNIC & BBQ
 Date & Place
 to be announced

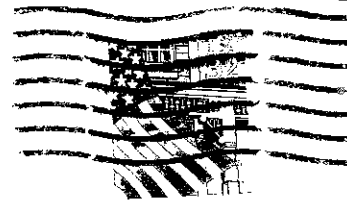
September
 Tuesday, Sept 9 7:30 pm
 CHAPTER MEETING
 Sept 23- EPFG Board Meeting

October
 Tuesday, Oct 14 7:30 pm
 CHAPTER MEETING

November
 Tuesday, Nov 12 7:30 pm
 CHAPTER MEETING
 Nov 25- EPFG Board Meeting

December
 NO MEETING

EVERGREEN *Picture Framers' Guild*
 C/O DAVID ALLRED, CPF
 DIMENSIONS *Gallery & Framery, Inc.*
 206 105th Avenue NE
 Bellevue, WA 98004



OFFICERS
PRESIDENT
 FRANK LARSON, CPF
 LARSON FINE ART
 SERVICES
 (206)276-2082
VICE PRESIDENT
 JEFF SCHUFFMAN
 JEFFREY SCHUFFMAN &
 ASSOCIATES
 (206)223-1810
TREASURER
 PAUL KNOOP, CPF
 THE FRAME MAKERS
 (206)564-2320
SECRETARY
 DONNA RICKMAN, CPF
 FINISHING TOUCHES
 (206)338-0932
PAST PRESIDENT
 PAUL MILLER, CPF
 RAINDROPS GALLERY
 (206)528-2832

BOARD
 JOHN FERENS, CPF
 FERENSOFT
 (206)282-1775
 ALLAN LAMB, CPF
 LAMB COTTAGE GALLERY.
 (206)776-1911
 STEVE DEAN
 LARSON-JUHL
 (206)433-6002
 JOE HUBER
 STUDIO MOULDING
 (206)656-2940
 DEBORAH PITTMAN, CPF
 FAST FRAME
 (206)471-9210
NEWSLETTER:
 DAVE ALLRED, CPF
 DIMENSIONS GALLERY &
 FRAMERY
 (206)455-0607



Please recycle!



Evergreen Picture Framers Guild

Insurance Program

The Bell-Anderson Agency is pleased to present a property and casualty program tailored to your insurance needs:

--Fold-A--

---Fold-A--

- Endorsed by YOUR Association.
- Group buying power.
- Group Discounted Insurance rates.
- Fine Arts Special form coverage.
- Specially broadened coverages for your business.

Call Tom Raley at 1-800-893-7443, or return this form to:
Bell Anderson, PO Box 40509, Bellevue, WA 98015-4509

Yes I would like more information on the Evergreen
Picture Framers Guild Insurance Program.

--Fold-B--

---Fold-B--

DBA _____

Name _____

Address _____

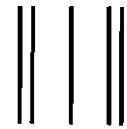
City _____ St _____ Zip _____

Phone Work _____ Home _____

---Fold A & B / Secure with Tape or Staple ---



I would be interested in receiving additional information on Auto, Home and Boat insurance



BELL-ANDERSON AGENCY, INC.

P.O. BOX 40509

BELLEVUE, WASHINGTON 98015-4509

Attn: Tom Raley

