



Picture Framers GUILD

June, 1997



Education Weekend Judged Outstanding

The votes are in — the winners are selected — the guilty party has been found out — the classes were great! And, the keynote speaker was outstanding! Just a few of the comments regarding the Guild's annual education weekend and banquet held on May 3 & 4.

Kaye Evans, sponsored by Nielsen & Bainbridge Co., was the keynote speaker and taught two excellent classes, Preservation Framing and Framing Needleart. Her topic after dinner was Selling Framing, focusing on the importance of "selling up" preservation framing to protect our customer's artwork, something we should routinely provide, while also increasing profits. Kaye is a terrific instructor and provided a great opportunity for all of us to refresh framing skills and learn new techniques.



Guild members watch Kaye Evans, CPF, and PPF A instructor, prepare a piece of needlework for mounting.

Kioshi Toda of Accent on Framing, Issaquah, was declared the winner of the PPF A Print competition. He receives airfare and the opportunity to represent us in the national-level competition to be held in Cincinnati, Ohio, this October. The "Challenge" piece this year was a sheet of stamps with Georgia O'Keefe's "Poppies" as the images, and a portrait of the artist on the sheet. And a challenge it was! Congratulations to 2nd place winner Barbara Mercer of Edmonds Frame Design and 3rd place winner The Frame Dame/Blue Heron Gallery, Silverdale. Thanks to all our members who entered the competition.

Congratulations also to Ben Edwards, Crescent Cardboard Company, on his selection as the Sales Representative of the Year, and to Larson-Juhl Corporation as the Vendor of the Year. Winners were chosen based on votes cast by members of the Guild. Great job, and keep it up!



Kioshi Toda, CPF, of Accent on Framing, with his 1st Place entry in the PPF A Print competition. The first prize is airfare to the National Convention in Cincinnati, Ohio, this October.

And finally, police were grateful for all the help in solving the mystery of Mr. Body's demise. The guilty party and murder weapon was taken into custody.

A special thanks to Jodi, Linda and Ron of Frame Design Northwest for all their hard work in making the evening a success; Thanks also to all board members for their support and efforts in this year's program.

More photos on page 6.

In This Issue

- Education weekend photos..... 6
- June meeting topic 6
- The library 9
- In memoriam, Dave Allred 11
- EPFG Officers and Board of Directors..... 11
- Calendar of upcoming events..... 12
- Classified ads 12
- Thanks to Educational Weekend sponsors!

Gold Sponsor

Jayeness Moulding Co. Inc.

Molly Boone Neese
206.292.9664

*Thank You for Your Support of the Evergreen Picture Framers Guild
4th Annual Educational Weekend & Awards Banquet*

Gold Sponsor

Tru Vue

Stacy Kohn
800.621.8339

*Thank You for Your Support of the Evergreen Picture Framers Guild
4th Annual Educational Weekend & Awards Banquet*

NATIONAL GLASS

17030 WOODINVILLE-REDMOND ROAD, WOODINVILLE, WA. 98072

QUALITY PRODUCTS AND EXCELLENT SERVICE! NATIONAL GLASS INVENTORIES THE LARGEST SELECTION OF PICTURE FRAMING GLASS IN THE PACIFIC NORTHWEST.



NATIONAL GLASS

TRU VUE AND SANDEL PREMIUM, REFLECTION CONTROL, SATINVIEW, CONSERVATION SERIES GLASS, IMAGE PERFECT, DENGLAS, AND CRYSTALVIEW.

ALSO AVAILABLE: *FOAM-X*, MIRROR AND ACRYLICS

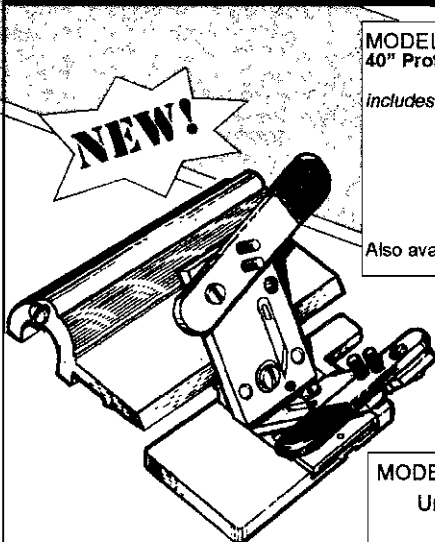
EVERYTHING YOU NEED AND *FREE DELIVERY* ARE ONLY A PHONE CALL AWAY!

(206) 488-8126

1(800) 521-7061

FAX (206) 488-3712

Chances are you started out with a LOGAN Mat Cutter Have you seen what we've done lately?



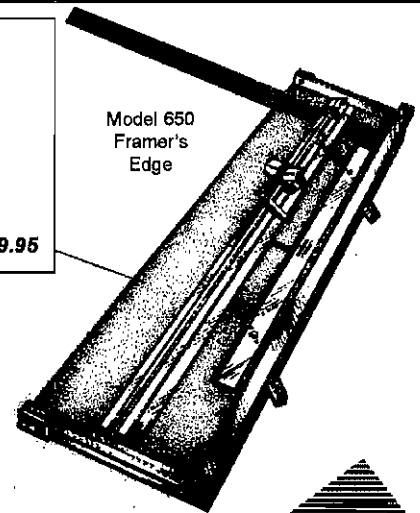
Model 705
Logan
V-Groover

MODEL #650 *Framer's Edge* MAT CUTTER 40" Professional Production Matcutter

- includes:
- Ergonomically designed Dual straight and Bevel cutting head
 - Production Stops
 - Parallel Mat Guide
 - Start and Stop Indicator for line to line cutting.
 - 27" Squaring Arm

Suggested List Price \$599.95

Also available in a 60" version MODEL #660 Framer's Edge \$799.95



Model 650
Framer's
Edge

MODEL 705 LOGAN V-Groover patented

Unique "push-pull" surface V-Groover that cuts beautiful V-Grooves on the surface of the matboard. Works entirely with stops provided for accurate V-Grooving in seconds with zero overcuts. Endless creative possibilities!!

Suggested List Price \$125.00

MODEL 706 Universal V-Groover patented

Works on professional mat cutters using a 5/8" thick cutting bar rod including Fletcher® and C&H® professional matcutters.

Suggested List Price \$150.00



GRAPHIC PRODUCTS, INC.
1100 BROWN STREET • WALCONDA, ILLINOIS 60084
NATIONWIDE TOLL FREE 1-800/331-6232
TOLL FREE FAX 800/331-6329

See us at <http://www.artproducts.com>
E-MAIL Logan-Graphic-Products@worldnet.att.net

Gold Sponsor

Designer Moulding

Jane Lande
800.533.6986 ext.432

*Thank You for Your Support of the Evergreen Picture Framers Guild
4th Annual Educational Weekend & Awards Banquet*

Gold Sponsor

Larson Juhl

Dan Guzzo
206.433.1617

*Thank You for Your Support of the Evergreen Picture Framers Guild
4th Annual Educational Weekend & Awards Banquet*



6001 Santa Monica Blvd., Los Angeles, CA 90038
Tel# (213) 469-9006 . Fax#(213) 469-0940

Date: _____
Ship Via: _____
Terms: _____
Order Number: _____

SOLD TO

Name: _____
Company: _____
Address: _____
City: _____ State _____ Zip _____
Telephone:() _____ Fax:() _____

SHIP TO

Name: _____
Company: _____
Address: _____
City: _____ State _____ Zip _____
Telephone:() _____ Fax:() _____

Photo Classics

All Frames Made in the USA

Name	Description Acrylics	Sizes					
		4x6	Qty.	5x7	Qty.	8x10	Qty.
Allegro	Vertical/Horizontal - Double Sided	\$29.75		\$39.75		\$66.00	
Concerto	Vertical	\$24.25		\$32.75		\$48.25	
Cantata	Vertical/Horizontal - Double Sided	\$29.75		\$39.75		\$66.00	
Rhapsody	Vertical	\$22.75		\$25.75		\$31.25	
Rhapsody	Horizontal	\$22.75		\$25.75		\$31.25	
Sonata	Vertical - Double Sided	\$20.75		\$23.75		\$29.25	
Sonata	Horizontal - Double Sided	\$20.75		\$23.75		\$29.25	
Symphony	Vertical/Horizontal	\$22.50		\$26.75		\$35.75	
Set of 24	Acrylic Frames	\$650.00 (\$768.25 value)					

Name	Description Hand Carved/Hand Finished/Seamless Corners	Sizes					
		4x6	Qty.	5x7	Qty.	8x10	Qty.
Antwerp	R/C Genuine Gold Leaf	\$60.00		\$67.50		\$75.00	
Barcelona	Antique Genuine Gold Leaf	\$60.00		\$67.50		\$75.00	
Bristol	Gen. Gold Leaf w/ Red to Show, Lt. Antique	\$60.00		\$67.50		\$75.00	
Budapest	Stripes, Gold	\$52.50		\$60.00		\$67.50	
Chelsea	Antique Silver Leaf	\$52.50		\$60.00		\$67.50	
Florence	Trim Moulding to 1/2" Deep, Antique GGL	\$52.50		\$60.00		\$67.50	
Genoa	Sp. Carved Flowers on Cor. Only. All GGL	\$60.00		\$67.50		\$75.00	
Lisbon	Gold Leaf	\$45.00		\$52.50		\$60.00	
Lyon	Small Leaf Detail in Cor., Antique GGL	\$60.00		\$67.50		\$75.00	
Madrid	White Gold Black Sides	\$60.00		\$67.50		\$75.00	
Oslo	Natural Maple	\$37.50		\$45.00		\$52.50	
Prague	GGL over Colors, Black Panel, No Cor. Detail	\$60.00		\$67.50		\$75.00	
Turin	All White Gold	\$60.00		\$67.50		\$75.00	
Vienna	Crackled Genuine Gold Leaf/Black Lip	\$60.00		\$67.50		\$75.00	
Wessex	Antique Gold, Black Panel	\$52.50		\$60.00		\$67.50	
Set of 45	Hand Carved/Hand Fin./Seamless Cor. Frames	\$2400.00 (\$2835.00 value)					

Credit Card Information (check one)

() () ()
 Visa MasterCard Amex

Name on Card: _____
 Card Number: _____
 Exp. Date: _____

June Meeting Topic

Allan Lamb to Present "Photo Handling and Restoration"

When I moved from photography to framing, one of the first things I noticed was how many photographs brought in for framing were very poor. I found that few photographic studios were interested in doing the work the way I wanted it done, i.e. for long life.

My past classes have covered primarily pre-1900s photographs. This class brings you right up to date, discussing emulsions, danger signs, and various ways to correct problems. We will look at what both computer and hand retouching have to offer, evaluate various products that may be offered by the photographic studio and discuss what you really need, and finally cover the new breed of computer generated photographs and what to watch for.

Discussion will include:

- Color correction
- Image repair
- Colorizing images
- Adding details
- Enlarging and cropping
- Focus

See calendar, page 12, for meeting information.



Frank Larson, CPF, EPFG President, congratulates Ben Edwards, Crescent Cardboard Sales Representative (on the right), on his selection as "Sales Rep of the Year."

A few more photos from the EPFG Educational Weekend and Banquet...



Jodi Norton, CPF, presents the EPFG "Vendor of the Year" award to Dan Guzzo, CPF, of Larson-Juhl. Jodi did a great job of organizing this year's banquet activities at the mansion of "Mr. Body."

Gold Sponsor

Wizard International, Inc.

Harry Everard or Mike Bell
206.489.2036

Thank You for Your Support of the Evergreen Picture Framers Guild
4th Annual Educational Weekend & Awards Banquet

Same Day Service
Jayeness Moulding Co.

Wholesale Picture
 Frame Supplies
 2928 4th Ave S • Seattle, WA 98134
206-292-9664
800-423-6287



VICTOR MOULDING CO.
 977 66TH AVENUE, P.O. BOX 2206
 OAKLAND, CA 94621 • 415-430-0400

WHOLESALE PICTURE FRAME SUPPLIES

CHUCK BIGFORD
 SALES REPRESENTATIVE

(206) 481-2555

1-800-366-8428
 1-415-430-8588 FAX

MESSAGE CENTER
 1-800-359-2829
 EXT 3715



MUSEUM GLASS™

The ultimate in anti-reflective technology plus UV-protection.

- Lowest reflection rating available
- Highest brightness and contrast levels
- Greater clarity for true color transmission
- Edge-to-edge coating, less product waste, shorter cutting time
- Blocks 97% of UV light in the 300-380 nm range
- Cuts like regular glass
- No special handling procedures or cleaners needed

For additional product information on Tru Vue Museum Glass, please call the Framers' Helpline:

8 0 0 . 2 8 2 . 8 7 8 8



ORDER: (800) 262-4174
FAX: (206) 656-9125
LOCAL: (206) 656-2940

8214-B SOUTH 192nd ST., KENT WA 98032

- **5 chops: 5% Discount + Free Freight**
- **10 chops: 10% Discount + Free Freight**
- **Length: Quantity Discount Available**
- **Routing Service**

Joseph Huber
 Sales Representative



695 Edgewater St. N.W.
 Salem, Oregon 97304
 Phone: 1-800-872-4445
 FAX: 1-503-363-7273

21828 87th Ave. S.E., Suite B
 Woodinville, WA 98072
 Phone: 1-800-292-3202
 FAX: 1-206-486-4978

**Colorful, Creative,
 Pure & Strong...**



Crescent Rag Mat
100% Cotton Museum Board

The choice of Artists & Picture Framing Professionals,
 for archival and conservation matting.
Acid-free and lignin-free.

Send in your business card to receive
 your **FREE Rag Mat Booklet (RM-100).**

Crescent Cardboard Company 100 W. Willow Road, Wheeling, IL 60090 U.S.A.

NURRE CAXTON



PAMELA NEAL
 Sales Representative
 Washington, Wyoming, Montana
 Oregon, Idaho

800-255-1942, press 6, ext. 4011 voice mail
 800-377-3300 fax
 800-910-8966 pager



Jeff Schuffman
 Sales Representative

1433 W. Frankford Rd. #100 Carrollton, Texas 75007
 972-466-0721 • 972-466-3662 Fax
 800-527-0421 • 800-817-0524 Fax
 Ext. 882

Bronze Sponsor

**Minuteman Press
of Issaquah**

Carl Peterson
425.391.4950

*Thank You for Your Support of the
Evergreen Picture Framers Guild
4th Annual Educational Weekend & Banquet*

Bronze Sponsor

**Framer's
Inventory**

Mary Murray
800.543.2467

*Thank You for Your Support of the
Evergreen Picture Framers Guild
4th Annual Educational Weekend & Banquet*

Bronze Sponsor

Studio Moulding

Marty Cohl & Joe Huber
206.656.2940

*Thank You for Your Support of the
Evergreen Picture Framers Guild
4th Annual Educational Weekend & Banquet*

Bronze Sponsor

**National Glass
Industries, Inc.**

Jeff Williams
800.521.7061

*Thank You for Your Support of the
Evergreen Picture Framers Guild
4th Annual Educational Weekend & Banquet*

Bronze Sponsor

**Hartung Glass
Industries**

Jack Mergens
206.656.2626

*Thank You for Your Support of the
Evergreen Picture Framers Guild
4th Annual Educational Weekend & Banquet*

Bronze Sponsor

FERENSOFT

John Ferens, CPF
206.282.1775

*Thank You for Your Support of the
Evergreen Picture Framers Guild
4th Annual Educational Weekend & Banquet*

Bronze Sponsor

Nurre Caxton

Gina Bigge
800.255.1942 ext.9311

*Thank You for Your Support of the
Evergreen Picture Framers Guild
4th Annual Educational Weekend & Banquet*

Bronze Sponsor

Art Laminators

206.883.1780

*Thank You for Your Support of the
Evergreen Picture Framers Guild
4th Annual Educational Weekend & Banquet*

LIBRARY

The EPFG library resources are available to members simply for the asking! To arrange pickup, or to pick them up as a monthly meeting, contact the EPFG Librarian, Allan Lamb, CPF, Lamb Cottage Gallery, Lynnwood, (206) 776-1911.

Check out the new library additions: books and videos on gilding, plus a set of basic gilding tools.

Books:

Framers book of techniques and materials
Framers guide to Japanese papers
Picture Framing - Kistler I
Mat Cutting - Kistler II
Needlework - Kistler III
Business Forms
Conservation Framing
Easy to build object box
Frames & framing
PPFA GUILD: Guidelines for framing works of art on paper
PPFA GUILD: Guidelines for framing works of art on canvas
Mounting, lamination, and texturizing
Matting & hinging
Marbling
Art of showing art
Beginners guide to faux finishes
Guerrilla marketing
How to care for works of art
How to sell framing
Life of a photo
The gilder's manual
Practical gilding

Videos:

Traditional gilding
Basics of matcutting/decorating
Basics of picture framing
Color selection in matting
Conservation framing - Bowen
Framing needlework
French mats and inlaid mats
Conservation framing needleart
Conservation framing - Kistler
Recognizing Graphic Art Techniques - FACTS
Gilding Tools: gilder's pad, tip, and knife

Sc... OS/2
New Version! Galleries & Frame shops User Friendly!

FERENSOFT TRIO!

- Art
- Customers
- Framing



Business management suite includes original **FRAMESHOP™** software. See why people are switching to **FERENSOFT!**
Seattle 206-282-1775.
Created by *Decor* columnist John Feren, CPF.

Extreme Value




THE WILLIAMSON CO.
FINE MOULDINGS & FRAMES

Manufacturer & Distributor
OF QUALITY PICTURE FRAME MOULDING
AND READY MADE FRAMES

For more information, call
Donna Gluyas
Western Region Sales Manager
1-800-851-2467


Archive Mattboard • Burnich & Designer Moulding • Clark Moulding
Foamcore • Miller Mattboard • Piedmont Moulding
TruVue Glass • Williamson Moulding

METAL FRAMES ART



6010 EAST ALKI WAREHOUSE #5 SPOKANE, WASHINGTON 99212
PHONE 800 344-7329 509 335-3449 FAX 800 344-5003 509 535-3466

SEATTLE, WA 98133



THE ART DOCTOR
Restoration of Oil Paintings, Japanese Screens,
Art on Paper, Art Objects

NANCY G. WHITE (206) 783-9160
Restorer By Appointment

HARTUNG GLASS INDUSTRIES

- ◆ Complete line of Acrylics; Clear, Non-Glare & UV.
- ◆ We carry Tru-View, Sandel & Crystalview
- ◆ Specializing in beveled mirrors for framing.
- ◆ Next day delivery from Everett to Tacoma.
- ◆ Over 20 years experience with picture framers.
- ◆ Call us and have a Customer Service Representative specializing in your needs help you.



17830 West Valley Highway, Seattle, WA 98188
(206)656-2626, (800)552-2227, FAX (206)656-2601

In Memoriam: David F. Allred

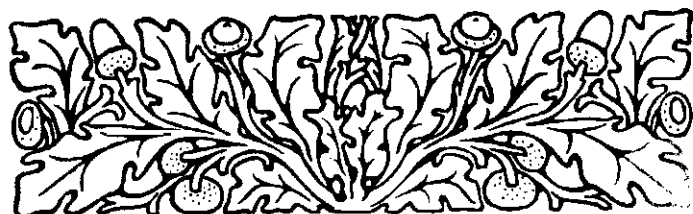
We are all saddened at the recent death of board member David Allred, CPF, owner of Dimensions Gallery and Framery in Bellevue. David's many contributions to the Evergreen Picture Framer's Guild will be sorely missed.

David was born in Fairmont, Indiana. He held a degree in mechanical engineering from Purdue University. Although successful both in the aerospace industry and later as a school administrator, it was his work in picture framing that allowed him to realize his lifelong dream of owning his own business.

His many interests included travel, art, photography, and racing cars. He was a past president of the Snoqualmie Valley Rotary Club.

David is survived by his beloved wife, Mary, sons Randy and Steven, his first wife Jean; Mary's children Jim Price and Debra Kelly; and four grandchildren.

Memorial contributions may be made to the Overlake Hospital Foundation, Cardiac Care Program.





FRAMERS' INVENTORY

Specializing in the Fine Art of Service.

STILL GROWING!

★ WOOD MOULDINGS ★
 Arquati, Bay, Burnich, Framers' Inventory,
 La Marche, Piedmont, Senelar, Williamson

★ METAL MouldING ★
 Designer & Nielsen

★ MATBOARD ★
 Bainbridge, Crescent, Miller

★ C&H and Fletcher Framing Equipment.★
 ★ Seal products Mounting Equipment.★

FREE WEEKLY DELIVERY IN LOCAL AREA!

5000 SE 18th Ave., Portland, Or. 97202
 Toll Free #1 (800) 543-2467

Evergreen Picture Framers Guild

Officers and Board of Directors

<p>President Frank Larson, CPF Larson Fine Art Services 425.482.0549</p> <p>Vice President Jeff Schuffman Jeffery Schuffman & Assoc. 206.223.1810</p> <p>Treasurer Paul Knoop, CPF The Frame Makers 253.564.2320</p> <p>Secretary Donna Rickman, CPF Finishing Touches 425.338.0932</p> <p>Past President Paul Miller, CPF Raindrops Gallery 206.528.2832</p>	<p>John Ferens, CPF Ferensoft 206.282.1775</p> <p>Alan Lamb, CPF Lamb Cottage Gallery 206.776.1911</p> <p>Steve Dean Larson-Juhl 206.433.6002</p> <p>Joe Huber Studio Moulding 206.656.2940</p> <p>Deborah Pittman, CPF Fast Frames, Tacoma 253.471.9210</p> <p>Newsletter Coordinator Tim Taricco, CPF Frames Plus 206.784.8475</p>
---	--

PORTICO.

Eight uniquely crafted mouldings inspired from the fresco walls of European villas and the warm, layered look of painted antique furniture.

For more information on new Portico and other Larson-Juhl framing products call:
(800) 438-5031

or contact your Larson-Juhl sales representative by calling (800) 223-0307

Stephen Dean - ext. 454 Paul Anderson - ext. 456
 Joe Garitone - ext. 455

LARSON · JUHL

ADDING ARTISTRY TO ART
 WARMTH TO LIVING

1997 Calendar of Events

June 10 7:30 pm

Location: Studio Moulding,
8214-B 192nd St., Kent;
206.656/2940

Dinner: Studio is providing a light
dinner buffet, so come hungry!

Topic: Photo Handling and
Restoration (see story, page 6)

July 8 6:30 pm

Topic: Framing Software

July 29 6:30 pm

EPFG Board Meeting

August 3 (Sunday)

EPFG Picnic

Magnuson Park (the old Sand
Point Navy base) shelter #1,
south of the boat ramp

September 9 7:30 pm

Topic: Shop and Gallery Lighting

September 23 6:30 pm

EPFG Board Meeting

October 14 7:30 pm

Topic: Color Trends for 1998

November 12 7:30 pm

Topic: Holiday Tricks & Treats

November 25 6:30 pm

EPFG Board Meeting

CLASSIFIEDS

FOR SALE: Art Gallery and Custom Frame Shop located in a prosperous bedroom community of Seattle. Mt. Rainier in your back yard and 2200 sq. feet of gallery and workshop, plus loft space. Located in a historic brick building. Well-established 15-year business with loyal customer base. Annual sales 120K. Fully-equipped frame shop includes computer and framing software. Owners retiring. (360) 825-5175.

A PERFECT OPPORTUNITY to expand or to start your own business. Located on a busy street in downtown Seattle Denny Regrade area. This store is the place for the custom picture framer. Fully-equipped plus some inventory. Lots of supplies. Has corporate clientele and steady repeat and walk-in business. Profitable. Very low rent. 864 sq. feet. 5 year lease w/ option. \$20K. Call (206) 441-6603.



c/o Paul Knoop, CPF, Treasurer
6724 W. 19th Street
University Place, WA 98466-5527

*Picture
Framers*
GUILD