



Picture
Framers
GUILD

CHOOSE TO RENEW

As you are aware by now, EPFG has voted to no longer be a chapter of the national PPFA organization, and form our own professional organization in the Pacific Northwest region. Many of you are currently members of this organization of picture framers, artists, art galleries, and suppliers by virtue of having paid dues either to PPFA or to EPFG. Your dues year status is shown on the newsletter mailing label, with the month of payment in capital letters for PPFA dues payers and lower case for EPFG dues payers. No date on your label? That means someone else is paying your share of the publication cost of the newsletter. If you do not care to join EPFG, but would like to help defray the publication cost, please send \$15 for the year.

You will recall that when dues are paid to PPFA, a portion of those dues was to be sent to the local chapter. With the financial difficulties of PPFA recently, this has not happened. When we withdrew from PPFA, our share of these dues (\$750.00 for 1997) was returned to the national organization. Fortunately, even with the loss of these dues, EPFG remains in sound financial condition, and we have continued to provide membership services to PPFA members through the end of 1997.

Effective in January 1998, when your dues are payable, a reminder notice will be sent approximately one month before payment is expected, with payment being due the end of the billing month shown on the mailing label. One reminder will be sent, and if dues are not paid by the end of the following month, you will be dropped from our membership. The Board of Directors has chosen not to change the dues structure at this time, so annual membership will remain at \$40.00.

Please note the format for the membership directory this year. It is the information shown for your shop's listing on our Internet site which is www.myframeshop.com/epfg/members. The Web site is being managed by Tim Taricco, who is also coordinating the newsletter publication. This advertisement for your shop is (see Choose To Renew on page 2)

INSIDE THIS ISSUE

EPFG COMPUTER TIP OF THE MONTH	4
RECYCLE - IT'S GOOD FOR YOU AND OTHERS!	5
CLASSIFIED ADS	7
COMING EVENTS	7

November 1997

Cost: free to EPFG members, \$1.00 for non-members

EPFG on the Web
www.myframeshop.com/epfg/members

FEATURED SALES REP. OF THE MONTH

Meet Ben Edwards of Framers' Inventory. Ben been involved the past twenty-six years in the art and framing industry. After serving in the armed forces for four years, he became a commercial artist and illustrator in Seattle. While illustrating, he worked for Seattle Art as a sales representative and later sales manager. After ten years with Seattle Art, he was hired by the Crescent Cardboard Company to cover the five Northwest states and Western Canada.

Framers' Inventory recently hired Ben. His local territory with Framers' Inventory gives him the opportunity to spend more time with his wife Cathie, five children, and two new grand daughters. Ben and (see Featured Sales Rep. of the Month on page 3)

SPECIAL THANKS TO THE FOLLOWING PEOPLE FOR THEIR CONTRIBUTION TO THIS NEWSLETTER.

- TIM TARICCO
- BEN EDWARDS
- PAUL KNOOP
- FRANK LARSON
- DONNA RICKMAN

PLEASE SEND YOUR ARTICLES OR NEWSLETTER IDEAS TO:

E-MAIL TIM TARICCO

TARICCO@MYFRAMESHOP.COM

U.S. MAIL

TIM TARICCO
10640 NE 29TH STREET, SUITE 70
BELLEVUE, WASHINGTON 98004
425-827-6951

CHOOSE TO RENEW

(continued) included with your membership, and the listing includes any text of 60 characters that you submit to emphasize your specialties, artists available, etc.

Corrections to your listing and your desired text should be provided to Tim by e-mail at taricco@myframeshop.com or on the form provided to you in the September EPFG newsletter. Don't miss out on this opportunity to advertise your services.

The Officers and Board of EPFG are looking forward to the coming year with great expectations. We hope that you choose to join the Guild and continue to work with us to provide better picture framing services to our customers so that our industry will grow and prosper.

Frank Larson, CPF
President EPFG



THE WILLIAMSON CO.
FINE MOULDINGS & FRAMES


Manufacturer and Distributor of Quality Mouldings

For more information, please call
Donna Gluyas
800-851-2467

Commerce, CA · St. Louis, MO · San Antonio, TX · Waynesboro, VA

Archive Mattboard · Burnich & Designer Moulding · Clark Moulding
Foamcore · Miller Mattboard · Piedmont Moulding
TruVue Glass · Williamson Moulding

METAL FRAMES ART



6010 EAST ALKI WAREHOUSE #5 SPOKANE, WASHINGTON 99212
PHONE 800 344-7329 509 535-3440 FAX 800 344-5003 509 535-3466



VICTOR MOULDING CO.
977 66TH AVENUE, P.O. BOX 2206
OAKLAND, CA 94621 · 415-430-0400

WHOLESALE PICTURE FRAME SUPPLIES

CHUCK BIGFORD
SALES REPRESENTATIVE

(206) 481-2555

1-800-366-8428
1-415-430-8588 FAX

MESSAGE CENTER
1-800-359-2829
EXT. 3715



Jeff Schuffman
Sales Representative

1433 W. Frankford Rd. #100 Carrollton, Texas 75007
972-466-0721 • 972-466-3662 Fax
800-527-0421 • 800-817-0524 Fax
Ext. 882

Colorful, Creative, Pure & Strong...



Crescent Rag Mat
100% Cotton Museum Board

The choice of Artists & Picture Framing Professionals,
for archival and conservation matting.
Acid-free and lignin-free.

Send in your business card to receive
your FREE Rag Mat Booklet (RM-100).

Crescent Cardboard Company 100 W. Willow Road, Wheeling, IL 60090 U.S.A.



695 Edgewater St. N.W.
Salem, Oregon 97304
Phone: 1-800-872-4445
FAX: 1-503-363-7273

21828 87th Ave. S.E., Suite B
Woodinville, WA 98072
Phone: 1-800-292-3202
FAX: 1-206-486-4978

FEATURED SALES REP. OF THE MONTH

(continued) Cathie will celebrate their 25th year in January.

"It's great to be home with the family every night. I couldn't believe how much I had missed with the kids growing up. Now most of the free time is with Cathie and the family. I am also finding some time for my art and a little fly fishing."

The EPFG would like to thank Ben Edwards for sharing a little about himself with us. The "Featured Sales Rep. of the Month" is a new section of the EPFG newsletter. Each month we will bring you a small biography of a sales representative in our region.

If you are a sales representative and would be interested in being spotlighted in our newsletter, please send your biography to:

e-mail Tim Taricco

taricco@myframeshop.com

U.S. Mail

Tim Taricco
10640 NE 29th Street, Suite 70
Bellevue, Washington 98004

425-827-6951

In December, look forward to meeting Joe Huber of Studio Moulding.





FRAMERS' INVENTORY
Specializing in the Fine Art of Service.

STILL GROWING!

WOOD MOULDINGS

ARQUATI, BAY, FRAMERS' INVENTORY,
LA MARCHE, MAX, PIEDMONT, GENELAR,
WILLIAMSON

METAL MOULDING

DESIGNER & NIELSON

MATBOARD

BAINBRIGE, CRESCENT, MILLER

C&H AND FLETCHER FRAMING EQUIPMENT
SEAL MOUNTING EQUIPMENT.

5000 S.E. 18TH AVENUE, PORTLAND, OR. 97202
TOLL FREE # 1(800)543-2467

Software Suite for Windows 95 and earlier

Galleries & Frame shops Networking User Friendly!

FERENSOFT

TRIO!

Art

Customers

Framing

Point of Sale and Business Management
suite with optional WIZARD™ mat cutter link.
See why people are switching to FS TRIO!
Seattle 206-282-1775.



EPFG COMPUTER TIP OF THE MONTH

Question:

I hear a lot about secure sites on the Internet, but how do you know if they are secure, or not?

Answer:

With more and more sites offering online shopping, or the ability to do banking from your computer, securing web sites is a huge concern. There are a number of secure sites available on the Internet, like the popular Web bookseller Amazon.com. Here's a way you can check if your favorite shopping site is secure. Try adding an "s" into the URL of the site you're interested in. For example, you can invoke a secure Microsoft site by entering <https://microsoft.com> into the Address box and then pressing Enter. Now how do you know if it's a secure site you say? Just look at the icon on the bottom right side of the Status bar? If you see a lock down there, then you're A-OK.

Another thing to know is that if you're using Internet Explorer, and you add secure sites to your Favorites, it will change it back to a regular URL. To keep those Favorites Secure, choose Favorites/Organize Favorites. Locate the URL in question and right-click on its icon. Choose Properties and click the Internet Shortcut tab. Now modify the Target URL by adding an "s" after the http. Click on OK. When you get back to the Organize Favorites dialog box, click on Close.

This month's tip provided by Kim Komando. Kim is heard on radio stations from coast to coast in more than 170 markets every weekend. No fooling! Seek and you shall find her on a station near you. In Seattle, Saturday mornings at 7 AM on "The Buzz" KIRO 100.7 FM.

Need help seeking her on a local radio station? Just send the name of the nearest major city where you live, the state and your zip code to listener@komando.com.

Want to speak with Kim? Call her during the live broadcast of the show every Saturday morning 10 am to 1 pm eastern time, that's 7 am to 10 am pacific time. The number to call is toll-free 1-888-825-5254 or (1-888-Talk2Kim).

To subscribe to Kim's weekly e-mail newsletter, visit her online subscription form at <http://www.komando.com/newsletter/>. You will automatically be signed up to the one of the greatest newsletters around, and your subscription will start with the very next issue!

www.komando.com

NURRE CAXTON

FRAMES OF DISTINCTION



*"We're Obsessed
With Customer
Satisfaction"*

Pamela Neal

Sales Representative for
Washington, Wyoming, Montana
Oregon and Idaho

1-800-255-1942, press 6, ext. 4011
for voice mail
1-800-377-3300 fax
1-800-910-8966 pager

We promise friendly, reliable service,
same day chop service, free UPS
for orders of 3 chops or more
(wood and Nielsen metal combined)

**EPFG
NEWSLETTER
ONLINE**

**[WWW.MYFRAMESHOP.COM/
EPFG/MEMBERS](http://WWW.MYFRAMESHOP.COM/EPFG/MEMBERS)**

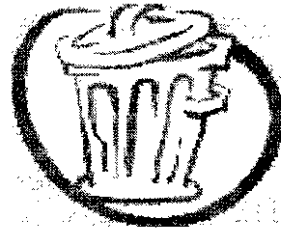
RECYCLE IT'S GOOD FOR YOU AND OTHERS!

The back room - mat fallouts, short pieces of moulding that *will never match another stick in this life time*, 3"x32" pieces of foam core but hey you may need all those things tomorrow or for sure the next day. It's getting so deep the fire department may declare your shop a fire hazard.

Why not take a few minutes to call a school, day care, boys and girls club, Sunday school coordinator or art school and ask if they could use your unwanted materials. Find several sources and rotate who you calls. Keep a bag by your mat cutter and drop pieces too small to keep (under 16x20) in the bag. Be sure and warn them about the sharp edges on the mat board or send them a gross of Band-Aids, they will soon find out what they are for. Foamcore pieces are great for building models and drawing. Cut that nasty 3' to 6' of moulding you really don't want but can't seem to part with into a standard

size for donation. It only takes a few minutes and it is great advertising and good will in the community. You will be a very popular person. The bonus is a neater backroom.

Donna Rickman, CPF
Finishing Touches
Mill Creek, WA



HARTUNG GLASS INDUSTRIES

- ◆ Complete line of Acrylics; Clear, Non-Glare & UV.
- ◆ We carry Tru-View, Sandel & Crystalview
- ◆ Specializing in beveled mirrors for framing.
- ◆ Next day delivery from Everett to Tacoma.
- ◆ Over 20 years experience with picture framers.
- ◆ Call us and have a Customer Service Representative specializing in your needs help you.



17830 West Valley Highway, Seattle, WA 98188
(206)656-2626, (800)552-2227, FAX (206)656-2601



*Fabrics - Moulding - Gold Leaf
For the Professional Picture Framing Industry*

BUCKSKIN

With the Look of Leather, and all the workability you've come to expect from our fabrics, this 54-inch pattern is now available in six contemporary colors: *Chamois, Oyster, Saddle, Mushroom, Onyx and Cordovan.*

Priced at only \$19.95 per yard, BUCKSKIN will make it very easy for you to design those items that call for a rustic treatment, including

Western Art and Artifacts

Motorcycle Prints, Posters and Memorabilia

Hunting and Outdoor Scenes

Native American Art

Wildlife Art, and much more...

BUCKSKIN is in stock in all colors, ready to ship at your request. Please take a few moments now to call for your free set of corner samples. (That way you'll be ready when your client asks you to frame those chaps and spurs.)

As always, if you have any questions about *BUCKSKIN*, or about Fabric and its use in Custom Picture Framing, please feel free to call our Customer Service Department at 1-800-832-2742.

CLASSIFIED ADS

- **Double Mitre Chop Saw** for sale, CTD Model D50 with new belts, \$800. Call Marc at 206-443-1108 for details.
- **Masterpiece 350 Dry Mount Press** for sale, 26 x 32, \$500. Stanley Frame Vise, \$75. Call Lou at 206-621-0200 for details.
- **Position Available** - Experienced Picture Framer / Production Manager wanted for established fine art shop in Kirkland. Must be organized, proficient with computers, and work professionally with clients. Exceptional pay and growth potential. Call Mary-Anne at 206-660-7274.
- **A Frame Shop in Kirkland** for sale (Totem Lake), established for 20 years. Out of town owners want to pare down Asking \$55K. Includes inventory, fixtures, and equipment. Ready for immediate take over. Call 360-384-2443 for details.

COMING EVENTS

- ◆ **December 1997** - No Meeting
- ◆ **January 13, 1998** - General Meeting, 7 PM social, 7:30 meeting, location to be announced. New Officers and Board of Directors take office after elections are completed.
- ◆ **February 10, 1998** - General Meeting, 7 PM social, 7:30 meeting, location to be announced. Meeting topic to be announced in the December newsletter.
- ◆ **March 10, 1998** - General Meeting, 7 PM social, 7:30 meeting. Framers' Inventory - Seattle warehouse. Meeting topic to be announced in the December newsletter.

Ashland™

Ashland is a collection of fifteen wood embossed mouldings in walnut, mahogany and honey finishes, crafted from fine quality American ash.

For more information on Ashland and other Larson-Juhl framing products call:
(216) 433-6002, (800) 627-1500 or (800) 438-5031

or contact your Larson-Juhl sales representative

Voice Mail: 800-223-0307

Stephen Dean - ext. 454 • Paul Anderson - ext. 456 • Joe Garitone - ext. 455

LARSON · JUHL

ADDING ARTISTRY TO ART
WARMTH TO LIVING

NATIONAL GLASS

17030 WOODINVILLE-REDMOND ROAD, WOODINVILLE, WA. 98072

QUALITY PRODUCTS AND EXCELLENT SERVICE! NATIONAL GLASS INVENTORIES THE LARGEST SELECTION OF PICTURE FRAMING GLASS IN THE PACIFIC NORTHWEST.



NATIONAL GLASS

TRU VUE AND SANDEL PREMIUM, REFLECTION CONTROL, SATINVIEW, CONSERVATION SERIES GLASS, IMAGE PERFECT, DENGLAS, AND CRYSTALVIEW.

ALSO AVAILABLE: *FOAM-X*, MIRROR AND ACRYLICS

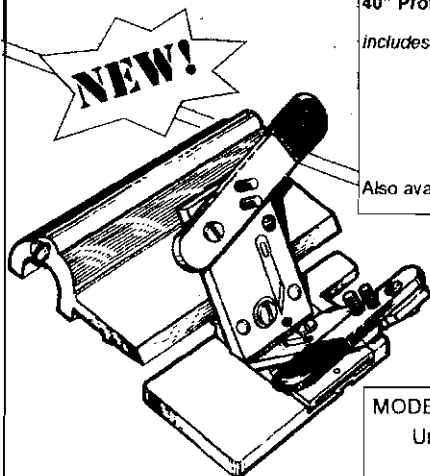
EVERYTHING YOU NEED AND *FREE DELIVERY* ARE ONLY A PHONE CALL AWAY!

(206) 488-8126

1(800) 521-7061

FAX (206) 488-3712

Chances are you started out with a LOGAN Mat Cutter Have you seen what we've done lately?



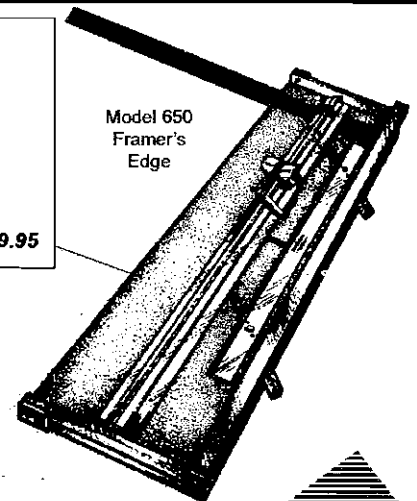
Model 705
Logan
V-Groover

MODEL #650 *Framer's Edge* MAT CUTTER 40" Professional Production Matcutter

- includes:
- Ergonomically designed Dual straight and Bevel cutting head
 - Production Stops
 - Parallel Mat Guide
 - Start and Stop Indicator for line to line cutting.
 - 27" Squaring Arm

Suggested List Price \$599.95

Also available in a 60" version MODEL #660 *Framer's Edge* \$799.95



Model 650
Framer's
Edge

MODEL 705 LOGAN V-Groover patented

Unique "push-pull" surface V-Groover that cuts beautiful V-Grooves on the surface of the matboard. Works entirely with stops provided for accurate V-Grooving in seconds with zero overcuts. Endless creative possibilities!!

Suggested List Price \$125.00

MODEL 706 Universal V-Groover patented

Works on professional mat cutters using a 5/8" thick cutting bar rod including Fletcher[®] and C&H[®] professional matcutters.

Suggested List Price \$150.00



GRAPHIC PRODUCTS, INC.
1100 BROWN STREET • WAUCONDA, ILLINOIS 60084
NATIONWIDE TOLL FREE 1-800/331-6232
TOLL FREE FAX 800/331-6329

See us at <http://www.artproducts.com>

E-MAIL: Logan-Graphic-Products@worknet.att.net



Wholesale Picture Frame Supplies
 2928 4th Ave S • Seattle, WA 98134
206-292-9664
800-423-6287

1997 OFFICERS & BOARD OF DIRECTORS

President
 Frank Larson, CPF
Larson Fine Art Services
 425.482.0549

Board Of Directors
 John Ferens, CPF
Ferensoft
 206.282.1775

Vice President
 Jeff Schuffman
Jeffrey Schuffman & Assoc.
 206.223.1810

Alan Lamb, CPF
Lamb Cottage Gallery
 206.776.1911

Treasurer
 Paul Knoop, CPF
The Frame Makers
 253.564.2320
 prknoop@wport.com

Steve Dean
Larson-Juhl
 206.433.6002

Secretary
 Donna Rickman, CPF
Finishing Touches
 425.338.0932
 rickman@aol.com

Joe Huber
Studio Moulding
 206.656.2940

Past President
 Paul Miller, CPF
Raindrops Gallery
 206.528.2832

Deborah Pittman, CPF
Fast Frames - Tacoma
 253.471.9210

Newsletter Coordinator
 Tim Taricco
myframeshop.com Network
 425.827.6951
 taricco@myframeshop.com

Premium Quality
BEVELED MIRRORS
 by **TRU VUE**

- 1/4" thick with a 1 1/4" bevel
- Available in a range of nine sizes
- Seven year limited warranty

THREE REASONS WHY YOU SHOULD FRAME MIRRORS

1. A new profit center that focuses on custom framing
2. No new skills or equipment needed - it's easy
3. Mirrors are a hot design trend in wall decor

For more information on TruVue Premium Quality Beveled Mirrors, call the Framers Helpline at 800.282.8788



ORDER: (800) 262-4174
FAX: (206) 656-9125
LOCAL: (206) 656-2940

8214-B SOUTH 192nd ST., KENT WA 98032

- 5 chops: 5% Discount + Free Freight
- 10 chops: 10% Discount + Free Freight
- Length: Quantity Discount Available
- Routers Service

Joseph Huber
 Sales Representative

SEATTLE, WA 98133



THE ART DOCTOR

Restoration of Oil Paintings, Japanese Screens,
 Art on Paper, Art Objects

NANCY G. WHITE
 Restorer

(206) 783-9160
 By Appointment

EPFG on the Web

Our Consumer Site

www.myframeshop.com/epfg

Our Members Site

www.myframeshop.com/epfg/members



c/o Paul Knoop, CPF, Treasurer
6724 West 19th Street
University Place, WA 98446-5527

