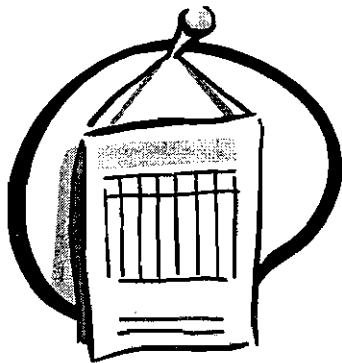


NIGHTMARE ON FRAME STREET

The November meeting of the EPFG met at Colorplak in Redmond for an evening of nightmarish stories. Throughout the meeting, participants shared their tales of woe, from rescuing a picture glued to cardboard that had been picked up by a recycler who failed to recognize art in its primitive form, to the 14 foot photo that was nearly impossible to mount, which, of course, fell off the customers wall because the customer wanted to install his own hanging system.

We all could empathize with framers who faced recurring bubbles under a cursed photo, the trench that showed up in the oversize poster, the one shrinking sheepskin of a matched set, and the errant tweezers that mysteriously appeared in the middle of the mounting of a large collage. Freddy was working overtime for several shops when he glued an oil painting to the glass of a press, and helped a just installed picture fall off the customers wall during the time when the frame shop was moving to a new location and could not repair the damage.

Ray Miles, the winner of the Nightmare On Frame Street contest, led us through Freddy's escapades with a serigraph that bowed up past the 3/8 inch spacers to firmly glue itself to the glass. In the end, Freddy was defeated by the participants ingenuity, honesty, and plain old hard work. Each person sharing their nightmare is truly a winner because we all face these terrors at sometime during our careers.



**1999 Calendar
is on the back.**

ONLY ONE MONTH LEFT

Interested in having a meeting at your shop during 1999? We would love to hear from you! We still have October available without a host. We also need a shop in the Olympia area to fulfill several requests for a meeting there. Please call Terry Scidmore at 206-433-1145 to volunteer. Thank you to Lake City Picture Framing, Framers' Inventory, Larson Juhl, and Colorplak for signing up to at the November meeting.

INSIDE THIS ISSUE

PRESIDENT'S LETTER	3
MEET THE EPFG BOARD	4
1999 EPFG BOARD ELECTION	6
WHAT'S COMING UP	9
1999 AT A GLANCE	BACK



December 1998

Newsletter Cost: free to EPFG members, \$1.00 for non-members

EPFG on the Web

www.myframeshop.com/epfg/members/

Serving Alaska & Washington

FRAMING & COCKTAILS?

There are those days, and then there are THOSE days. This particular day began with a phone call from a man who wanted to know where he could get the best cocktail in Seattle. I didn't know. "Well," the man barked, "your ad says that you provide helpful service. You haven't been at all helpful!" After he slammed the phone down, I reflected that at least my yellow pages ad was getting some notice.

Terry Scidmore





NATIONAL GLASS

17030 WOODINVILLE-REDMOND ROAD, WOODINVILLE, WA. 98072

QUALITY PRODUCTS AND EXCELLENT SERVICE! NATIONAL GLASS INVENTORIES THE LARGEST SELECTION OF PICTURE FRAMING GLASS IN THE PACIFIC NORTHWEST.



NATIONAL GLASS

TRU VUE AND SANDEL PREMIUM, REFLECTION CONTROL, SATINVIEW, CONSERVATION SERIES GLASS, IMAGE PERFECT, DENGLAS, AND CRYSTALVIEW.

Now Available - AR Glass & Museum Glass!

ALSO AVAILABLE: *FOAM-X*, MIRROR AND ACRYLICS

EVERYTHING YOU NEED AND *FREE DELIVERY* ARE ONLY A PHONE CALL AWAY!

(425) 488-8126

1 (800) 521-7061

fax (425) 488-3712



HOW TO CONTACT US

Membership Dues, Advertising Payments, Change of Address:

Paul Miller, EPFG Treasurer
4614 - 180th Place SW
Lynnwood, WA 98037
425-771-9519

For changes of address please include old and new address information.

General Questions:

Contact information for the EPFG Officers and Board of Directors can be found on the back of this newsletter.

Online:

<http://www.myframeshop.com/epfg/members/>

Classified Ad copy, Display Ad copy, Article Suggestions:

Tim Taricco
P.O. Box 411
Redmond, WA 98073
taricco@myframeshop.com

Non EPFG members must include \$10 for each Classified Ad.

Deadlines:

This newsletter is published monthly on the 20th prior to the month of distribution.

Join Today:

Return the application on page 9 along with \$40 to become a member of EPFG



MAT MAESTRO

1150 Industry Drive Tukwila, WA 98188

Revolutionary high speed computerized mat cutter. Expand your product lines to include creative, low cost production mats. see improvements in profitability. Purchase or finance/lease for as little as \$382/mo.

A Division of RCI, Inc.

Suppliers to the Picture Framing Industry for over
30 years

206.575.2727 Fax: 206.575.2667

The EPFG Newsletter and Internet Web Site are published monthly by Tim Taricco. **Mailing Address:** P. O. Box 411 - Redmond, Washington 98073-0411. **Phone:** (425) 885-9730 **E-mail:** taricco@myframeshop.com **Web Site:** <http://www.myframeshop.com/tradeonly/>. **Comments and suggestions** about the EPFG Newsletter and Internet Web Site should be made to Tim Taricco. Newsletter Design © 1998 T. M. Taricco and Newsletter Content © 1998 Evergreen Picture Framers Guild. All rights reserved. Do not duplicate or redistribute in any form.



Jeff Schuffman
Sales Representative

1433 W. Frankford Rd. #100 Carrollton, Texas 75007
972-466-0721 • 972-466-3662 Fax
800-527-0421 • 800-817-0524 Fax
Ext. 882



Wholesale Picture
Frame Supplies

2928 4th Ave S • Seattle, WA 98134
206-292-9664
800-423-6287

PRESIDENT'S LETTER



HAPPY HOLIDAYS!! As 1998 draws to a close, I would like to take this opportunity to say a special thanks to some very special people. First, to all of the Officers and Board members who have put in long hours to make the Guild a success this year. Without them, nothing would have happened. Second, to each

of our special supporters, the Vendors and individuals who advertise in our Newsletter and provide the "tools of the trade" for us to do our jobs and respond promptly to our demands for more, better, and cheaper. Without them, we would all be in a different profession. And lastly, to all of our members, especially those who have volunteered their ideas, shops, time, and money to make the Guild an organization to serve the framing community. Each of you have my gratitude for a job well done, and my heartfelt thanks for being there when needed. I know we all look forward to an even better year in 1999, and remember, without you, there would be no EPFG.

Speaking of next year, elsewhere in the Newsletter there are

several things you should take note of: a). Elections are upon us again, and the Ballots should reach all members by the middle of the Month, along with much Holiday mail and a steady supply of catalogues. Please take the time to vote and return your Ballot by Jan 4. b). Note also that considerable progress has been made in filling out our meeting calendar for the year. There are only 2 months without a location yet, and we have quite a few programs lined up. There is always room for another, though, so if there is something you would like, let us know. Several of the program items will be multiple part programs, as the subjects being covered would be too much for one meeting. c). Also, we will continue to expand our meeting locations, with a meeting in Bellingham, Eastern WA again, and somewhere in the South Sound area, probably around Olympia. d). Begin making plans now for the Spring Festival, which will be held on March 21, a Sunday. We are planning some great educational opportunities, both longer classes and short, repeated demonstrations which will be available at no charge to attendees. A framing competition, dinner, awards, and entertainment??? will cap off the evening. The location is the same as last year, The Embassy Suites, Tukwilla area. Watch for details, and give us your input.

Well, that puts the wraps on this year, except to wish each and every one of you a Joyous Holiday Season and a Prosperous, healthy New Year. See you in 1999!

Paul Knoop
EPFG President

Beautiful - Durable - Affordable Framing Alternative

17830 NE 65th Street
Redmond, WA 98052

800-305-1953

Our Local
Sales Representative

Tim Taricco
425-885-9730



Software Suite for Windows 95 and earlier
Galleries & Frame shops Networking User Friendly!

FERENSOFT
TRIO!

- Art
- Customers
- Framing

Point of Sale and Business Management suite with optional WIZARD™ mat cutter link. See why people are switching to FS TRIO! Seattle 206-282-1775.



MEET THE EPFG BOARD

Each month we will bring you a profile of one EPFG board member. This month we feature our President Paul Knoop.

Paul Knoop, CPF, was elected President of EPFG in 1997 to serve for 2 years after having served as the Treasurer for one term. He has been a member of EPFG for 8 years and a picture framer for 11 following a 29 year career in the U S Army. He began framing as a "do it yourselfer" and was fortunate to work with a very knowledgeable Master Framer who took the time to explain and show the correct way of doing things. Paul became fascinated with the art and craft of framing, and in 1988 began studying, taking seminars, and working part time in several frame shops. In 1990 he began framing full-time at a renowned Tacoma gallery where he worked for 4 + years. During this time, he received his CPF certification in 1991, and continued to expand his capabilities with other classes, seminars, and self-study. In April 1994, he moved to a different shop which was under new ownership where he continues a second career in the picture framing trade. "The thing that keeps me going is the variety of jobs and challenges, from the plain vanilla poster to the complex design and fabrication of a keepsake, or shadow box job. There is always something new to learn, some new technique or embellishment which can be put to use." Also, "working with the Guild is satisfying, knowing that I can give something back and maybe provide a positive influence on someone who needs a little push." Paul will continue to lead EPFG as President during 1999, and he looks for continued growth and improvement during the year. He may be contacted at the frame makers, 253-564-2320.

Next month's profile will be our newest volunteer, Nancy Chapman, Bimini Designs, who has been appointed to coordinate membership activities for EPFG.

VICTOR
MOULDING COMPANY

Have You Seen?

Southern Comfort Line
Hunt Club Line
Impasto Line
Tiburon Line

IF YOU HAVEN'T, CALL YOUR SALES REPRESENTATIVE TODAY!

1-800-359-2829

Chuck Bigford Ext. 3715



3439 S.W. BOND
PORTLAND, OREGON 97201

Jim Jillard - Branch Manager

STUDIO
MOULDING

8214-B South 192nd St., Kent, WA 98032

FREE FREIGHT

On all orders over \$100.00 in OR and WA

JOE HUBER

Orders: (800) 262-4174
Voice Mail Ext: 217
Fax: (888) 423-1814

TRU VUE GLASS
FOR EVERY FRAMING NEED

<p>PREMIUM SERIES GLASS</p> <ul style="list-style-type: none"> • PREMIUM CLEAR* • REFLECTION CONTROL* • AR* REFLECTIVE FREE 	<p>CONSERVATION SERIES GLASS</p> <ul style="list-style-type: none"> • CONSERVATION CLEAR* • CONSERVATION REFLECTION CONTROL* • MUSEUM GLASS*
---	--

© 1997 Tru Vue Glass, Inc. All rights reserved. Tru Vue Glass, Inc. 200-223-7800

New Pre-Covered Lip Liner

Ask about our
Distributors Discount.

Expanded Liner Selection

Framing Fabrics & Moulding International

is very happy to introduce NEW LINERS. With the recent expansion of our liner offerings, we are able to provide our customers with a complete liner selection, at very competitive prices. These seven new additions include a flat profile in two sizes, a bevel profile in two sizes and a scoop profile in three sizes, all with hand-finished lips of bright gold, antique gold and antique silver. These lip liners are available in four fabrics, 100% BELGIQUE Natural Linen; Union Blend of MANHASSET Natural and Oyster and Antique Satin MARQUIS Black.

LIP FINISHES

Bright Gold ❖ Antique Gold ❖ Antique Silver

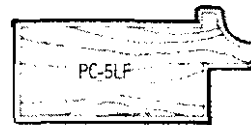
FABRICS

Manhasset Natural ❖ Manhasset Oyster
Belgique Natural ❖ Marquis Black

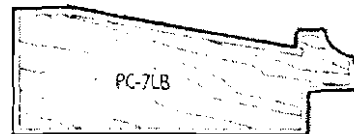
All are pre-covered. However, we are also able to meet most of your custom needs (*Custom Wraps*), just call and ask our Customer Service Department personnel. Upon request, we can cover our lip liners with any of the 500 fabrics we sell. A 50 ft. minimum applies to liners cut to 6 & 4 or 5 & 5 ft. lengths; a 100 ft. is required on liners in standard 10 ft. lengths.

These liners are in addition to the original thirty liner profiles we offer in Primed, Pre-covered and *Custom Wrapped* both in length and chop.

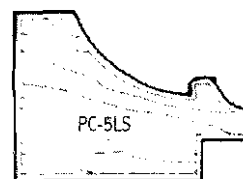
FLAT



BEVEL



SCOOP



Shown Actual Size

HARTUNG GLASS INDUSTRIES

- ◆ Complete line of Acrylics; Clear, Non-Glare & UV.
- ◆ We carry Tru-View, Sandel & Crystalview
- ◆ Specializing in beveled mirrors for framing.
- ◆ Next day delivery from Everett to Tacoma.
- ◆ Over 20 years experience with picture framers.
- ◆ Call us and have a Customer Service Representative specializing in your needs help you.



17830 West Valley Highway, Seattle, WA 98188
(206)656-2626, (800)552-2227, FAX (206)656-2601

1999 EPFG BOARD ELECTION

The EPFG election committee is pleased to present the members who have agreed to volunteer their time for the benefit of all of us in the guild. On December 2nd, all current EPFG members were mailed a ballot for voting. Please remember to return the voting card by January 4, 1999.

EXECUTIVE BOARD

President (1 year remaining)

Paul Knoop, CPF – Framer at the framemakers, Tacoma.

Vice President (2 year term)

Donna Rickman, CPF – Owner of Finishing Touches, Mill Creek.

Secretary (1 year remaining)

Terry Scidmore, CPF – Owner of The Mitred Corner, Seattle.

Treasurer (2 year term)

Kiyoshi Toda, CPF – Owner of Accent On Framing, Issaquah.

BOARD OF DIRECTORS

Ben Edwards (1 year remaining) Sales rep. for Framers' Inventory.

Joe Huber (1 year remaining) Sales rep. for Studio Moulding.

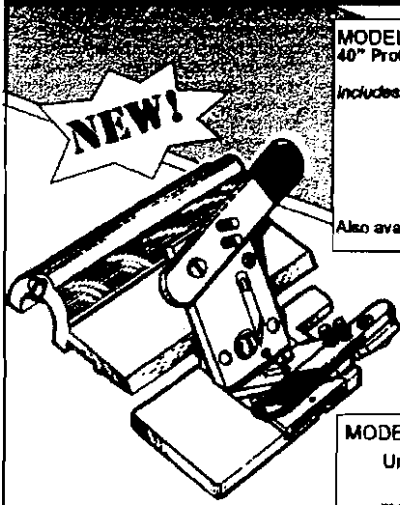
Joe Garitone, CPF (1 year remaining) Sales rep. for Larson Juhl.

Ray Miles (2 year term) Sales rep. for National Glass.

This is not an official ballot. This was printed for informational purposes only.



Chances are you started out with a LOGAN Mat Cutter Have you seen what we've done lately?



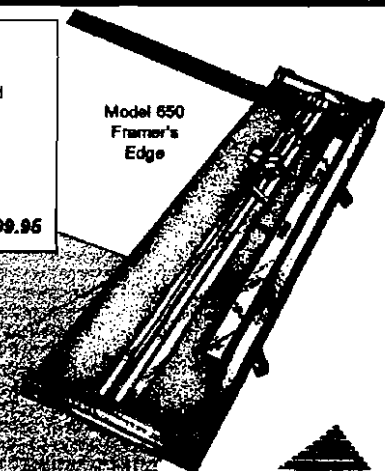
Model 705
Logan
V-Groover

MODEL #650 Framer's Edge MAT CUTTER
40" Professional Production Matcutter

- Includes:
- Ergonomically designed Dual straight and Bevel cutting head
 - Production Stops
 - Parallel Mat Guide
 - Start and Stop Indicator for line to line cutting.
 - 27" Squaring Arm

Suggested List Price \$599.95

Also available in a 60" version MODEL #660 Framer's Edge \$799.95



Model 650
Framer's
Edge

MODEL 705 LOGAN V-Groover patented

Unique "push-pull" surface V-Groover that cuts beautiful V-Grooves on the surface of the matboard. Works entirely with stops provided for accurate V-Grooving in seconds with zero overcuts. Endless creative possibilities!!

Suggested List Price \$125.00

MODEL 706 Universal V-Groover patented

Works on professional mat cutters using a 5/8" thick cutting bar rod including Fletcher® and C&H® professional matcutters.

Suggested List Price \$150.00



GRAPHIC PRODUCTS, INC.

1100 BROWN STREET • WALUCONDA, OREGON 97146
PHONE: (503) 331-4332
TOLL FREE FAX: (503) 331-4329

Website at: <http://www.artproducts.com>

E-mail: Logan-Graphic-Products@worldnet.att.net

Need Training for New Employees?

**SEE WHAT YOUR DOLLAR
CAN DO IN CANADA**

The Canadian Picture Framer's School

#1, 20678 Duncan Way
Langley, B.C.

providing excellent thorough
instruction in picture framing for
over 10 years. Phone or fax
for more info:

Ph: 604-533-5328
Fax: 604-533-9680



FRAMERS' INVENTORY

NOW OPEN IN SEATTLE!

WOOD MOULDING

Arquati, Bay, Framers' Inventory,
LaMarche, Max, Roma, Williamson

METAL MOULDING

Nielsen

MATBOARD

Bainbridge, Crescent, Tru Vue

GLASS & FOAMBOARD

True Vue, Sandel,
Bienfang, Bainbridge

EQUIPMENT

C&H, Fletcher
Seal Mounting

SERVICE

Daily delivery in the
Portland & Seattle Metro areas
Will call open til 6:00 PM
Overnight chop service



4412 4TH AVENUE SOUTH, SEATTLE WA 98143
5000 SE 18TH AVENUE, PORTLAND, OREGON 97202
TOLL FREE (800) 543-2467 FAX (503) 238-3899



SEATTLE, WA 98133



THE ART DOCTOR

Restoration of Oil Paintings, Japanese Screens,
Art on Paper, Art Objects

NANCY G. WHITE
Restorer

(206) 783-9160
By Appointment

Williamson • TriVue Glass/Miller Matboard • Clark • Designer Wood & Metal
Piedmont • Colonial • Dumich • Fourniture

INTRODUCING:
5 New Library Leather Matboards from Miller
plus 4 New Slate & Shagreen
Call for samples

METAL FRAMES ART



9110 EAST ALKI WAREHOUSE #3
PHONE 800 344-7329 509 535-1440

SPOKANE WASHINGTON 99212
FAX 200 344-5003 509 535-1460

PRADO

Seven golden mouldings reminiscent of regal antiquity.

For more information on Prado and other Larson-Juhl framing products call:
(216) 433-6002, (800) 627-1500 or (800) 438-5031

or contact your Larson-Juhl sales representative
Voice Mail: 800-223-0307

Stephen Dean - ext. 454 • Paul Anderson - ext. 456 • Joe Garitone - ext. 455

LARSON · JUHL

ADDING ARTISTRY TO ART
WARMTH TO LIVING

**Colorful, Creative,
Pure & Strong...**



Crescent Rag Mat
100% Cotton Museum Board

The choice of Artists & Picture Framing Professionals,
for archival and conservation matting.
Acid-free and lignin-free.

Send in your business card to receive
your **FREE Rag Mat Booklet (RM-100)**.

Crescent Cellulose Company 100 W. Willow Road, Wheeling, IL 60090 U.S.A.



Pacific Framing Supply

"Serving all of your framing needs"

Brad Airhart & John Cave

Salem, OR 97304
Phone: 1-800-872-4445
FAX: 1-503-363-7273

Woodinville, WA 98072
Phone: 1-800-292-3202
FAX: 1-206-486-4978